

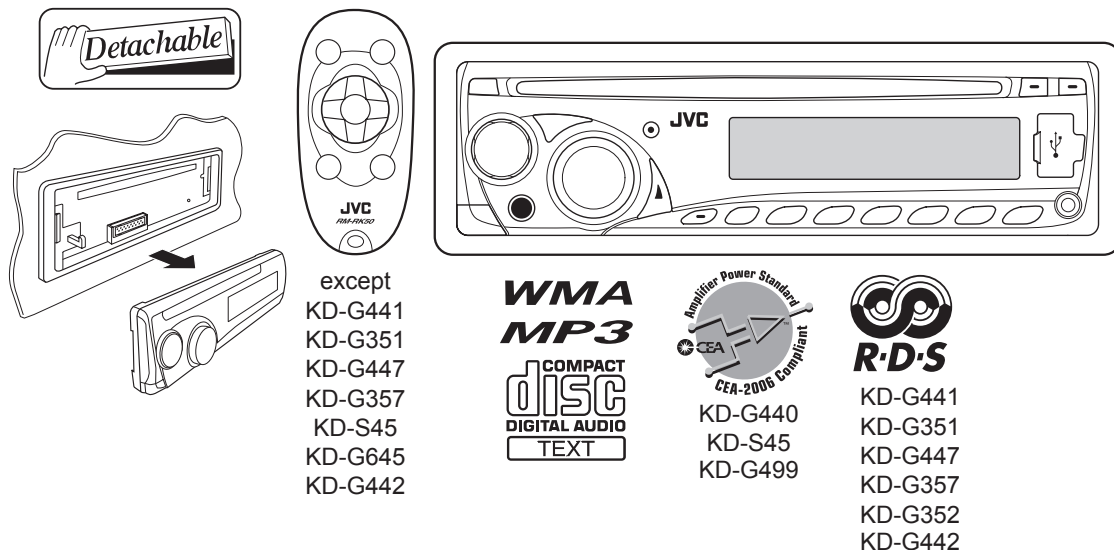
JVC

SCHEMATIC DIAGRAMS

CD RECEIVER

**KD-G351E, KD-G351EX, KD-G351EY, KD-G351EU
KD-G357EE, KD-G440J, KD-G441E, KD-G441EX
KD-G441EY, KD-G441EU, KD-G447EE, KD-G644UI
KD-G645U, KD-G645UN, KD-G645UT, KD-G645UH
KD-G646U, KD-G646UN, KD-G646UT, KD-G646UH
KD-G648UF, KD-G352EY, KD-S45J, KD-G645SUI
KD-G442E, KD-G442EX, KD-G442EY, KD-G499UR
KD-G357EE2, KD-G645TUH**

DVD-ROM No.SML2008Q3



Lead free solder used in the board (material : Sn-Ag-Cu, melting point : 219 Centigrade)

Lead free solder used in the board (material : Sn-Cu, melting point : 230 Centigrade)

Contents

Block diagram	2-1
Standard schematic diagrams	2-3
Printed circuit boards	2-9 to 11

Safety precaution



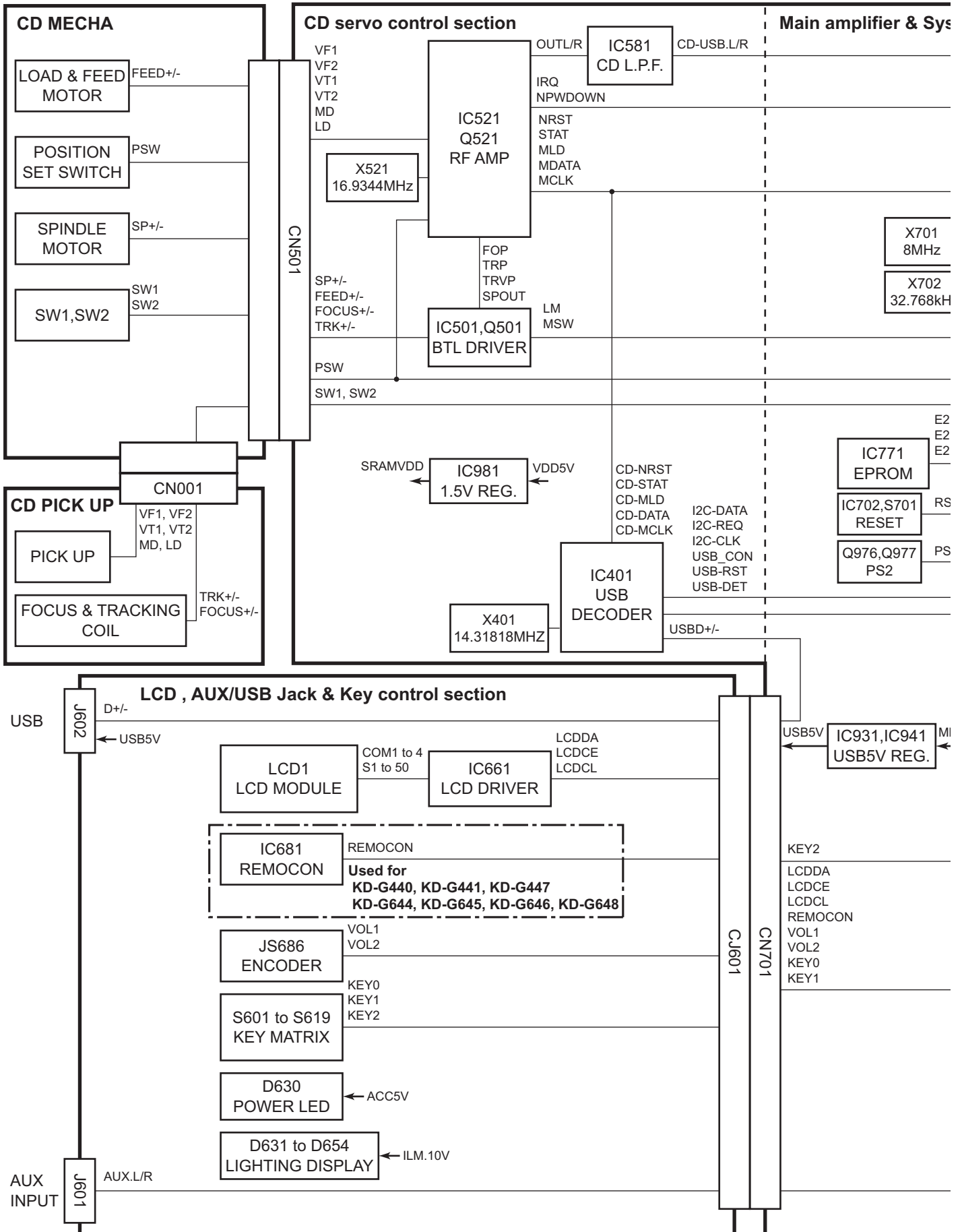
CAUTION Burrs formed during molding may be left over on some parts of the chassis. Therefore, pay attention to such burrs in the case of performing repair of this system.



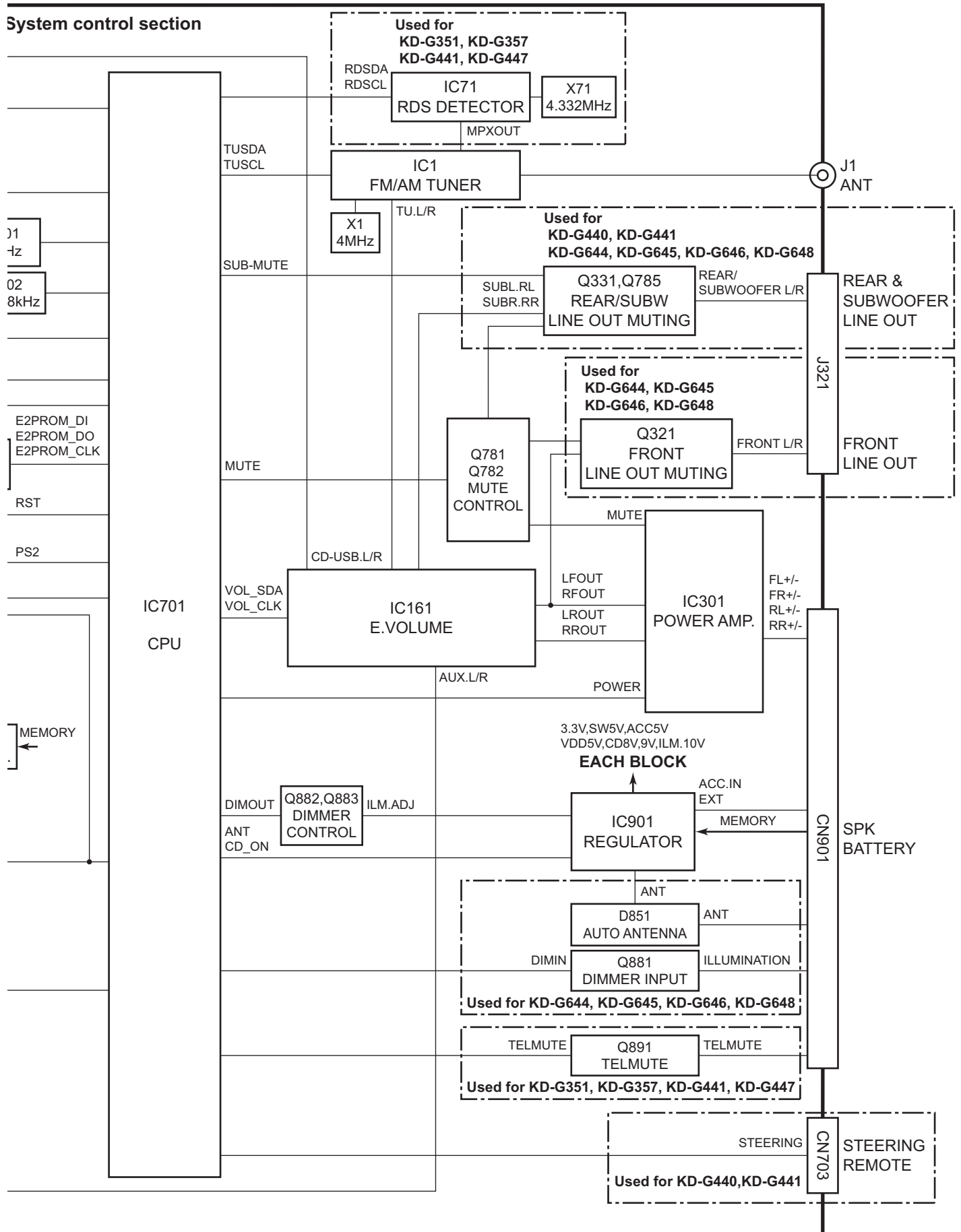
CAUTION Please use enough caution not to see the beam directly or touch it in case of an adjustment or operation check.

< MEMO >

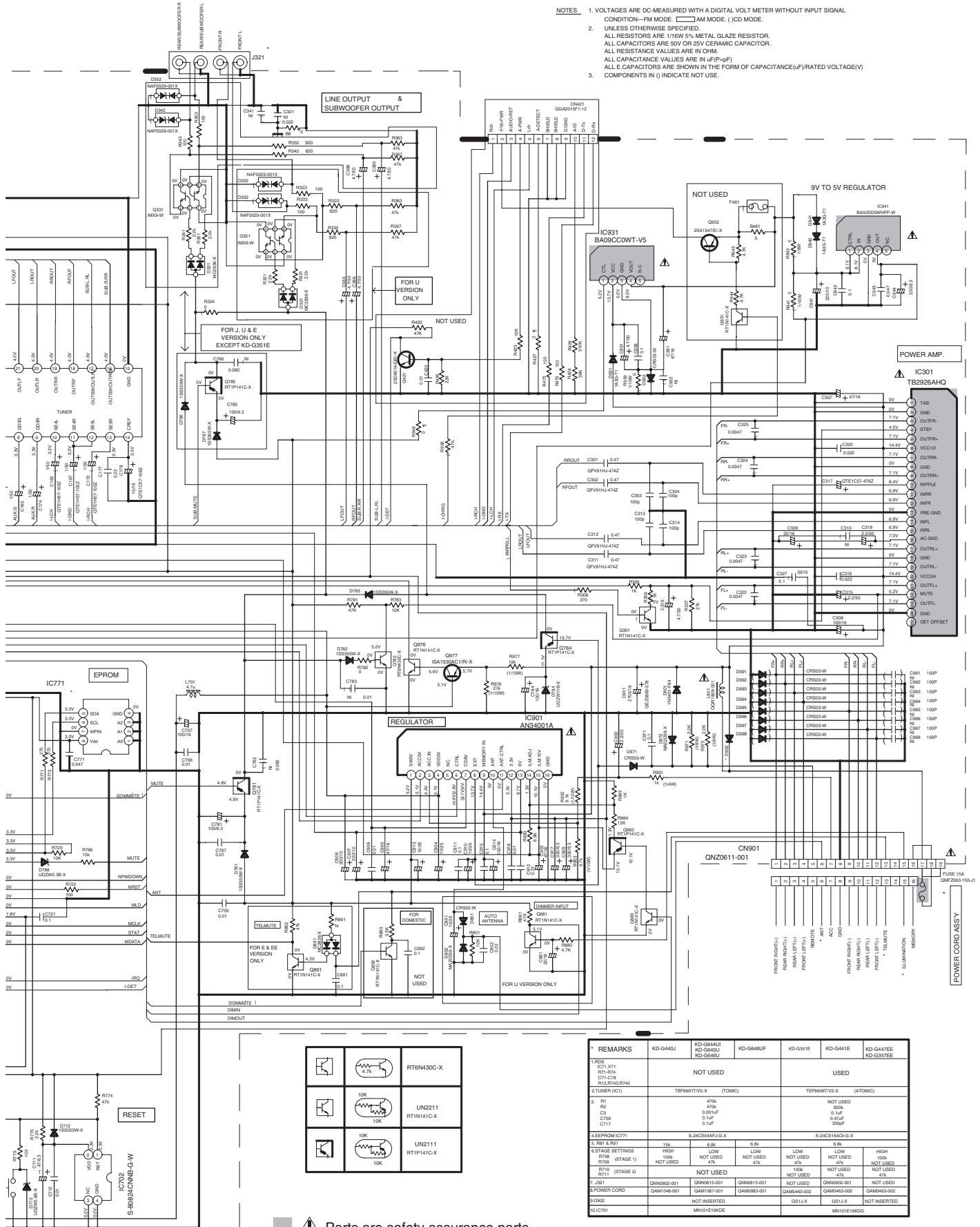
Block diagram



System control section



- NOTES
1. VOLTAGES ARE DC-MEASURED WITH A DIGITAL VOLT METER WITHOUT INPUT SIGNAL
CONDITION—FM MODE: AM MODE, JCD MODE.
 2. UNLESS OTHERWISE SPECIFIED.
ALL RESISTORS ARE 1/16W 5% METAL GLAZE RESISTOR.
ALL CAPACITORS ARE 50V OR 25V CERAMIC CAPACITOR.
ALL RESISTANCE VALUES ARE IN OHM.
ALL CAPACITANCE VALUES ARE IN uF(P=μF)
ALL CAPACITANCE VALUES ARE IN uF(P=μF)
ALL CAPACITANCE VALUES ARE IN uF(P=μF) RATED VOLTAGE(V)
 3. COMPONENTS IN () INDICATE NOT USE.

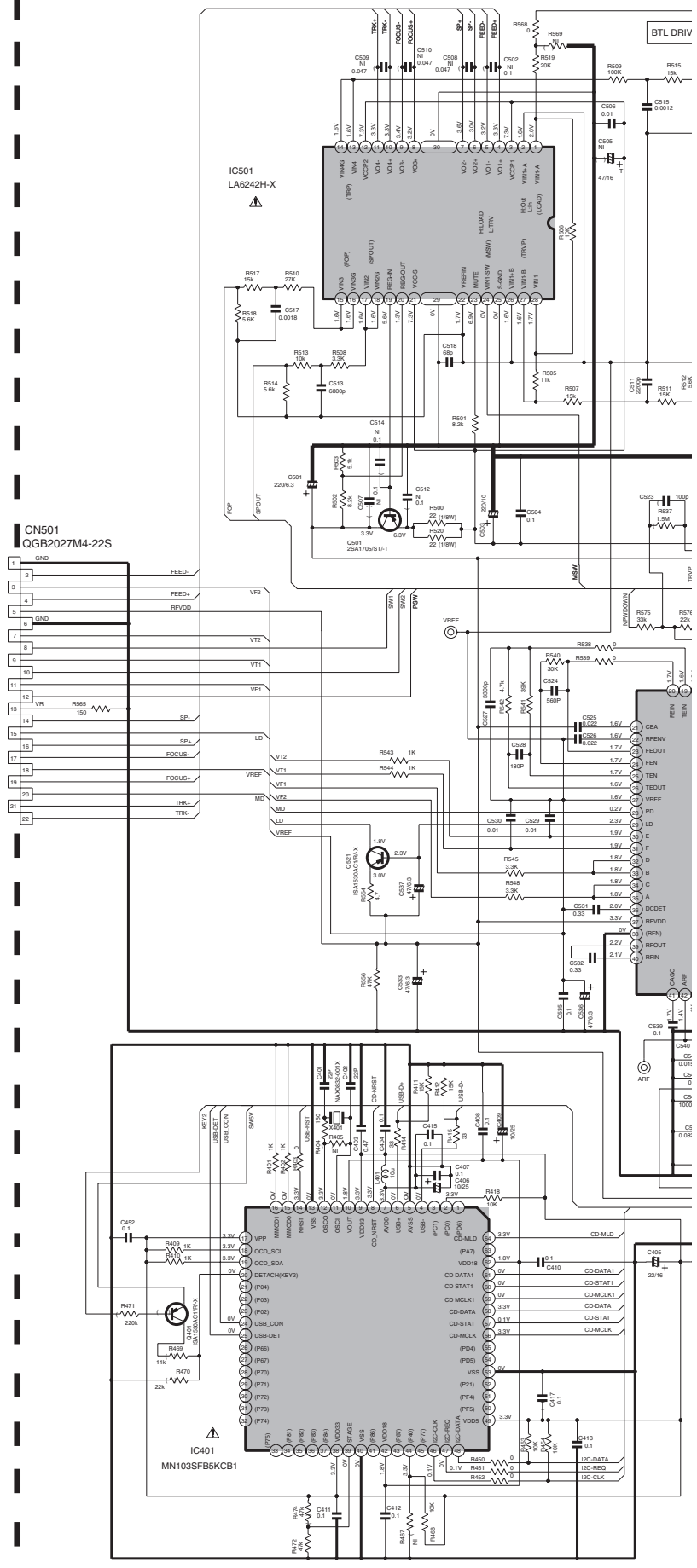
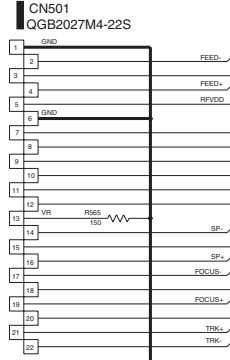
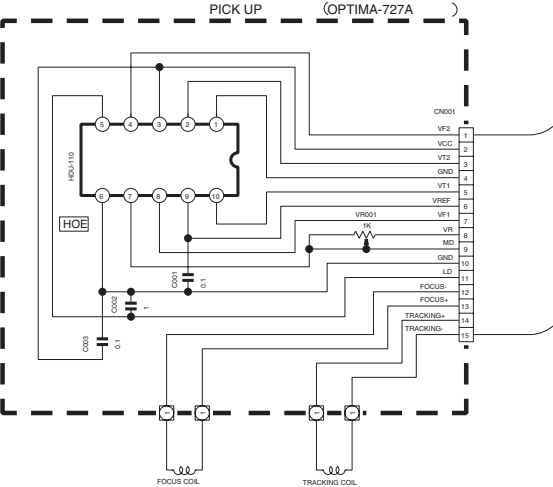
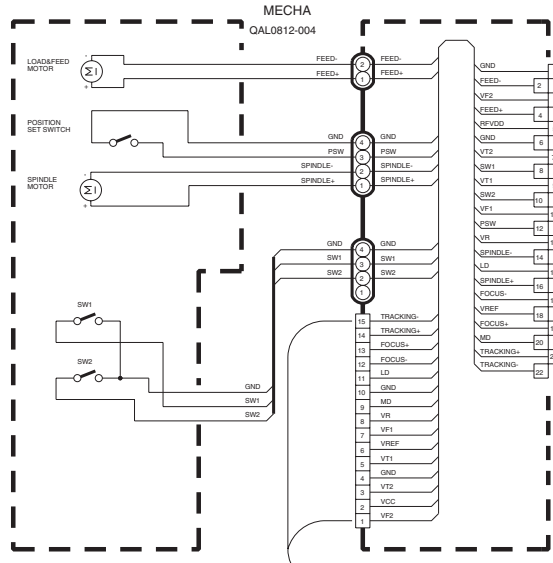


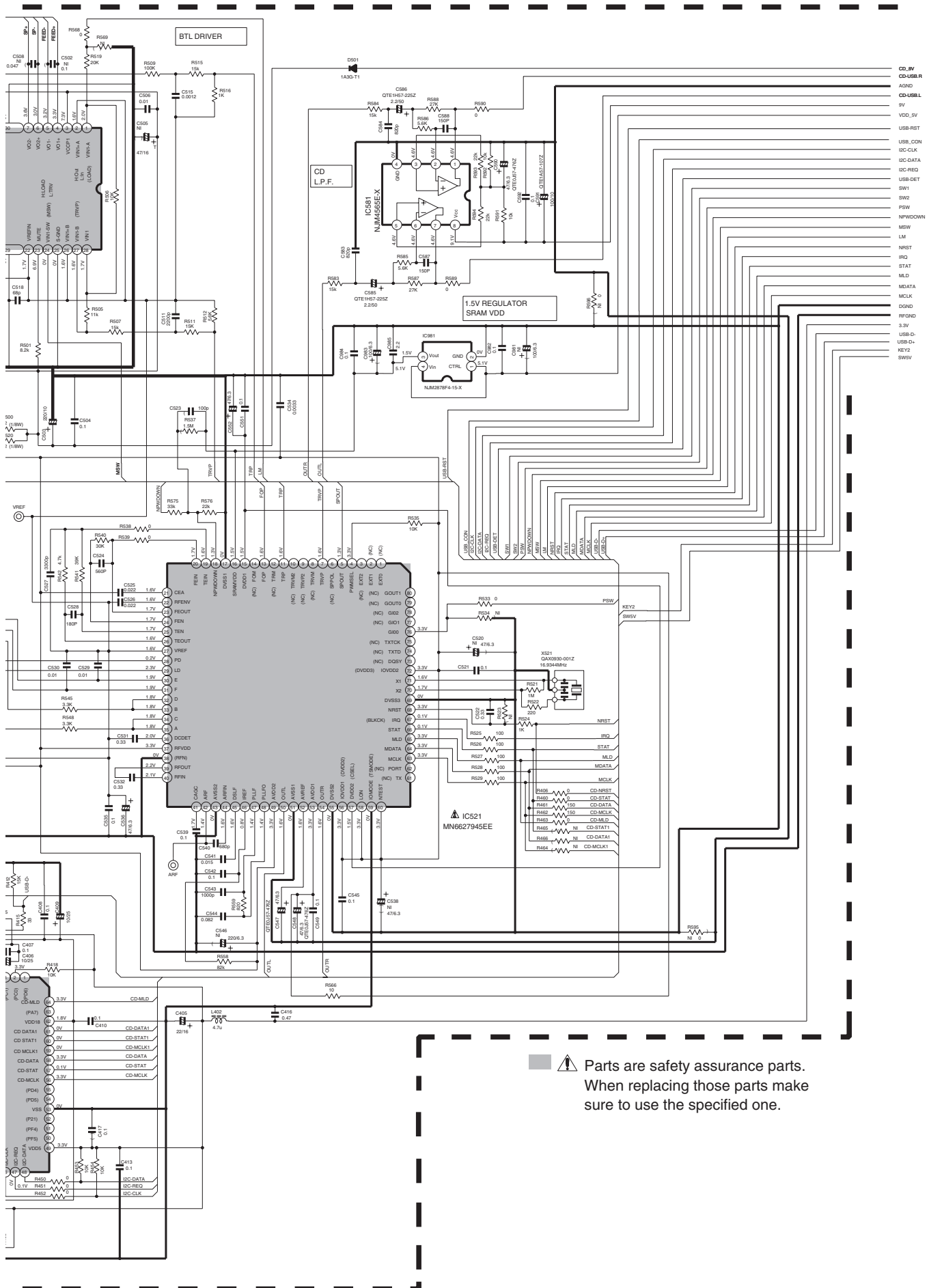
Parts are safety assurance parts.
When replacing those parts make sure to use the specified one.

CD section

NOTES:

- VOLTAGE ARE DC-MEASURED WITH A DIGITAL VOLT-METER WITHOUT INPUT SIGNAL CONDITION - CD MODE.
- UNLESS OTHERWISE SPECIFIED, ALL RESISTOR ARE 1/16W 5%METAL GLAZE RESISTOR. ALL CAPACITOR ARE 50V OR 25V CERAMIC CAPACITOR. ALL RESISTANCE VALUES ARE IN OHM. ALL CAPACITANCE VALUES ARE IN μF (pF). ALL INDUCTANCE VALUES ARE IN μH . ALL E. CAPACITORS ARE SHOWN IN THE FORM OF CAPACITANCE(F)/RATED VOLTAGE(V).



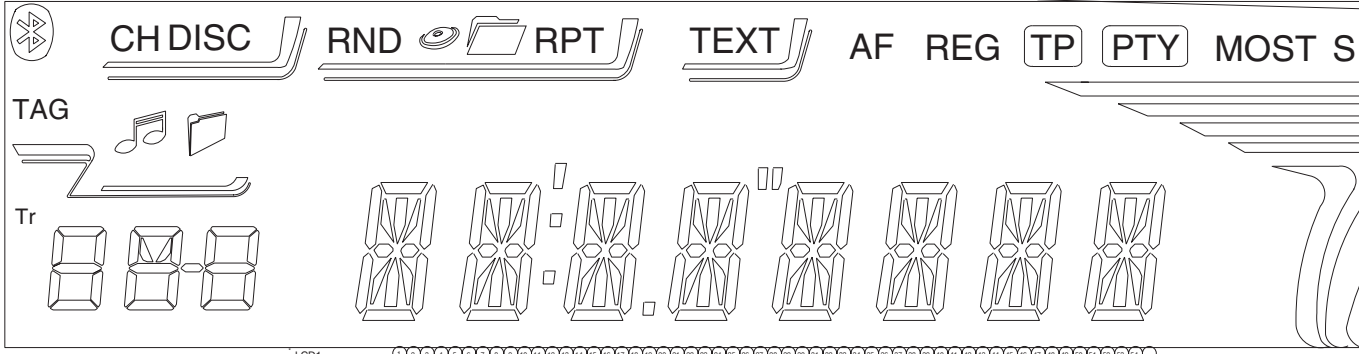


To Main section

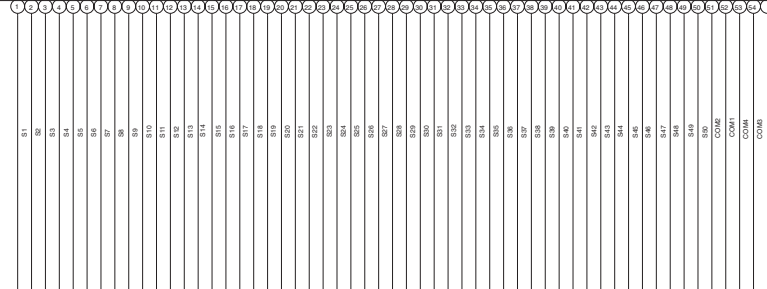
⚠ Parts are safety assurance parts.
When replacing those parts make
sure to use the specified one.

LCD & Key control section

LCD DISPLAY

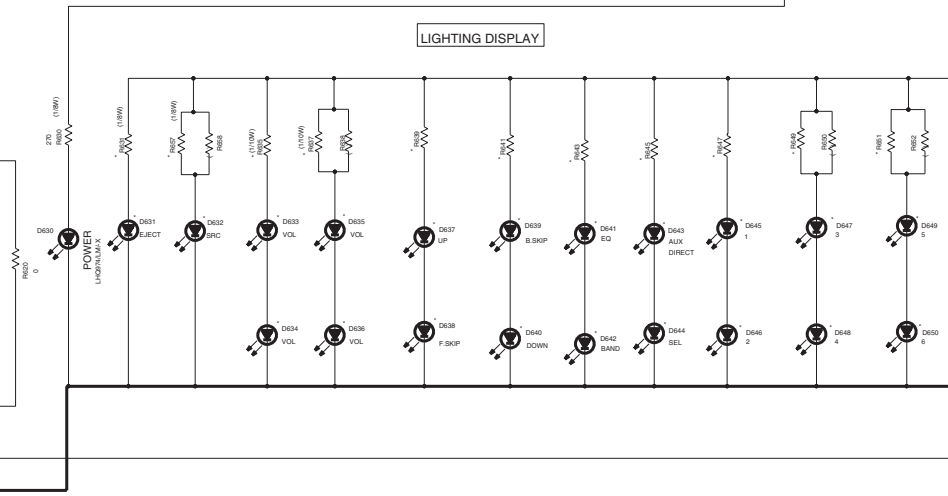
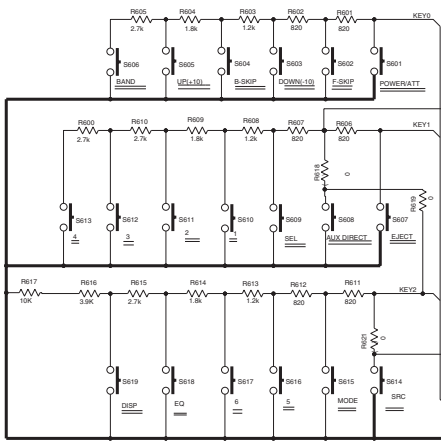


LCD1



KEY MATRIX

LIGHTING DISPLAY



S601-S619 NSW0124-001X

- NOTES
- VOLTAGES ARE DC-MEASURED WITH A DIGITAL VOLT METER WITHOUT INPUT SIGNAL
 - UNLESS OTHERWISE SPECIFIED.
ALL RESISTORS ARE 1/16W +5% METAL GLAZE RESISTOR.
ALL CAPACITORS ARE 50V OR 25V CERAMIC CAPACITOR.
ALL RESISTANCE VALUES ARE IN OHM.
ALL CAPACITANCE VALUES ARE IN uF(P=µF)
ALL E. CAPACITORS ARE SHOWN IN THE FORM OF CAPACITANCE(uF)/RATED VOLTAGE(V)
T --- TANTALUM CAPACITOR.
 - COMPONENTS IN () INDICATE NOT USE.

	KD-G645U, KD-G644UI KD-G646U	KD-G648UF	KD-G441E
D631 D637-D652	NECBB205/WPQR/X	LHQ974/LM-X	NECBB205
D632 D633, D634 D635, D636	NECBB205/WPQR/X	NECBB205/WPQR/X	NECBB205
R635, R637	330	330	330
R631	1200	680	1200
R657	1200	1200	1200
R639, R641	820	820	820
R643, R645 R647, R649 R651, R653	620	560	620
J602	QNS0215-001	QNS0215-001	QNS0245-00
LCD1	QLD0531-001	QLD0531-001	QLD0531-00

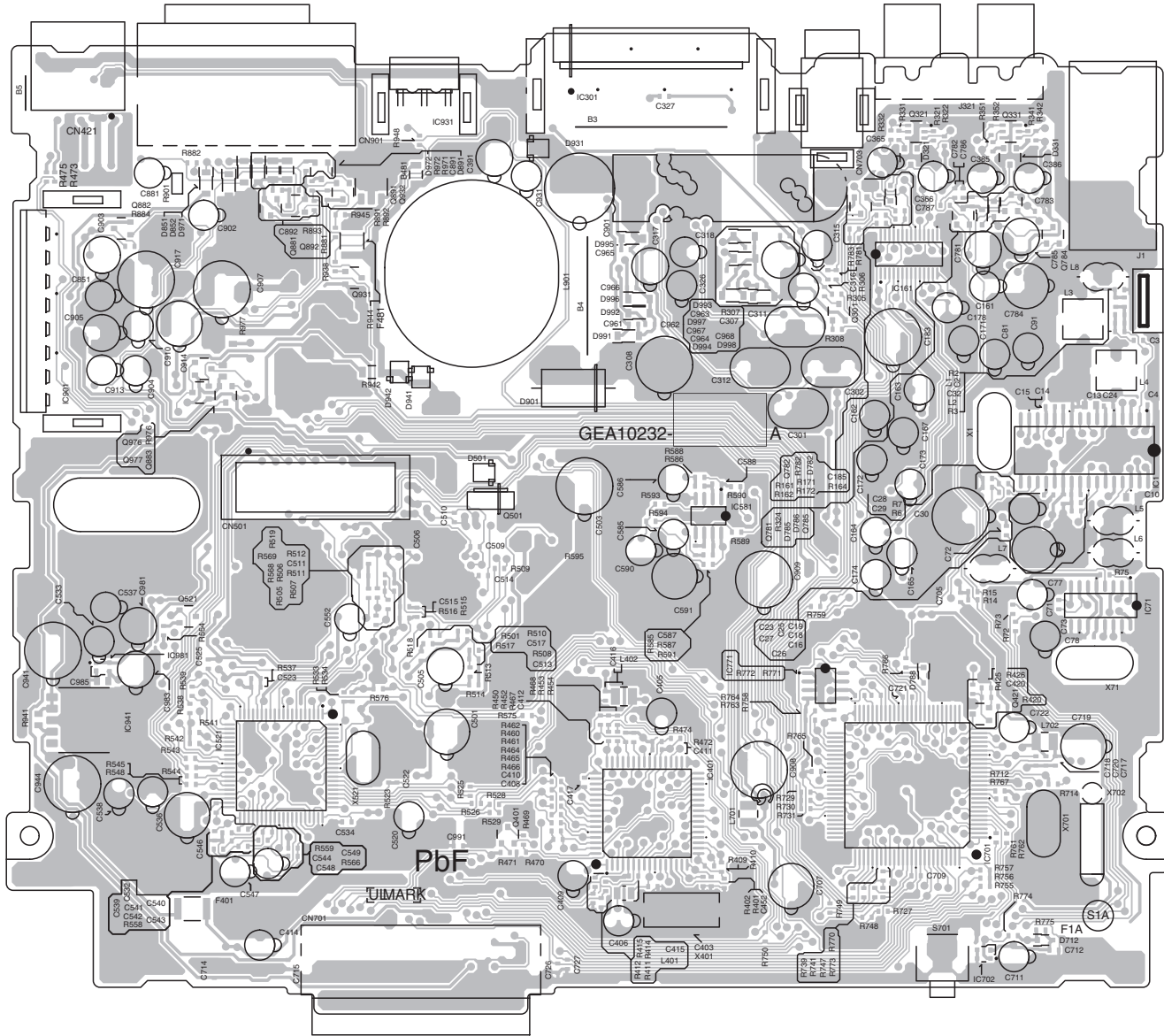
Printed circuit boards

■ Main board

Lead free solder used in the board (material : Sn-Ag-Cu, melting point : 219 Centigrade)

forward side

Lead free solder used in the board (material : Sn-Cu, melting point : 230 Centigrade)

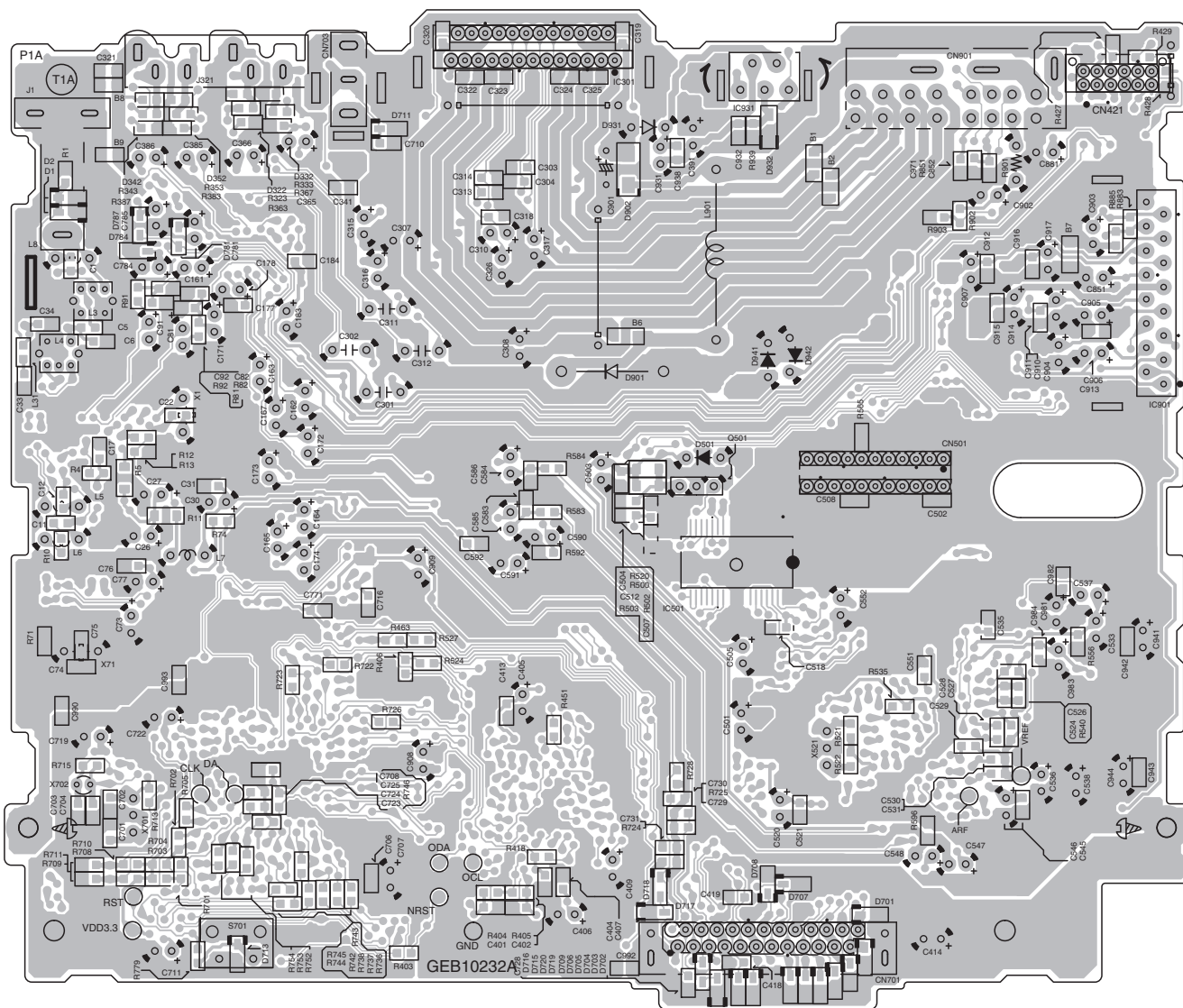


■ Main board

reverse side

Lead free solder used in the board (material : Sn-Ag-Cu, melting point : 219 Centigrade)

Lead free solder used in the board (material : Sn-Cu, melting point : 230 Centigrade)

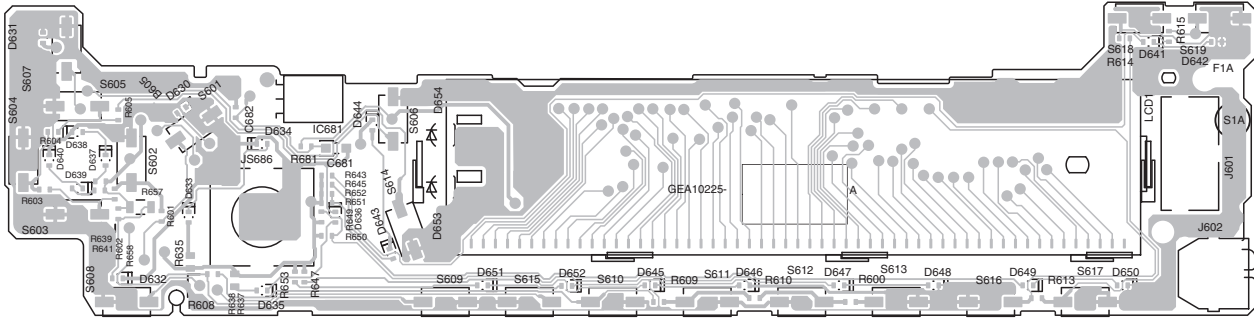


Switch board

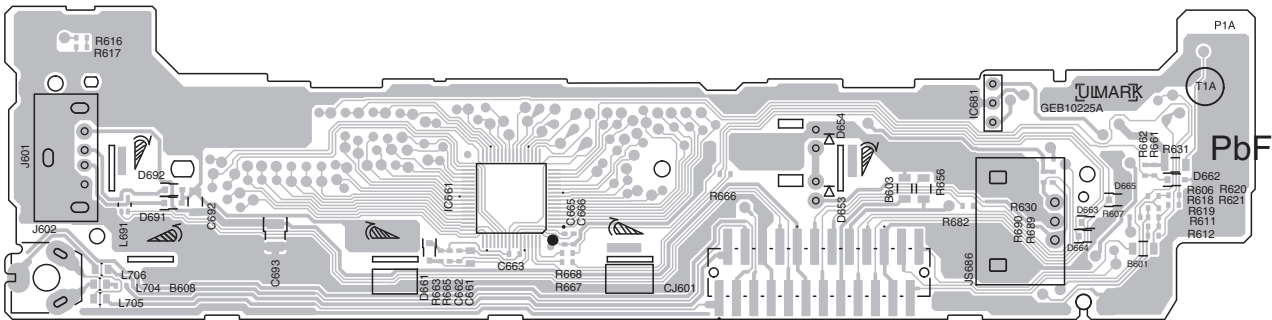
Lead free solder used in the board (material : Sn-Ag-Cu, melting point : 219 Centigrade)

Lead free solder used in the board (material : Sn-Cu, melting point : 230 Centigrade)

forward side



reverse side



< MEMO >



Victor Company of Japan, Limited

Mobile Entertainment Division 10-1,1chome,Ohwatari-machi,Maebashi-city,Gumma-ken,371-8543,Japan